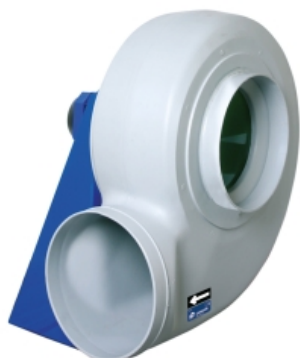


## MBP 20 T2 0,18kW (502202013)

### GENERAL DATA



#### MEDIUM PRESSURE WITH BACKWARD IMPELLER AND PLASTIC CONSTRUCTION

##### MANUFACTURING FEATURES:

- PE plastic housing.
- Backward impeller with self-cleaning system in PP plastic.
- Motor support made of rolled steel sheet with polyester powder finishing coat.
- Stainless steel nuts and bolts.
- Standard asynchronous squirrel-cage motor, IP-55, class F insulation. Standard voltages 230/400V 50Hz

- Available positions (to be indicated in case of order): LG270, LG0, LG45, LG90, LG135, LG180, LG225, LG315, RD0, RD45, RD90, RD135, RD180, RD225, RD270, RD315.
- The indicated codes correspond to the model in position LG270

##### APPLICATIONS:

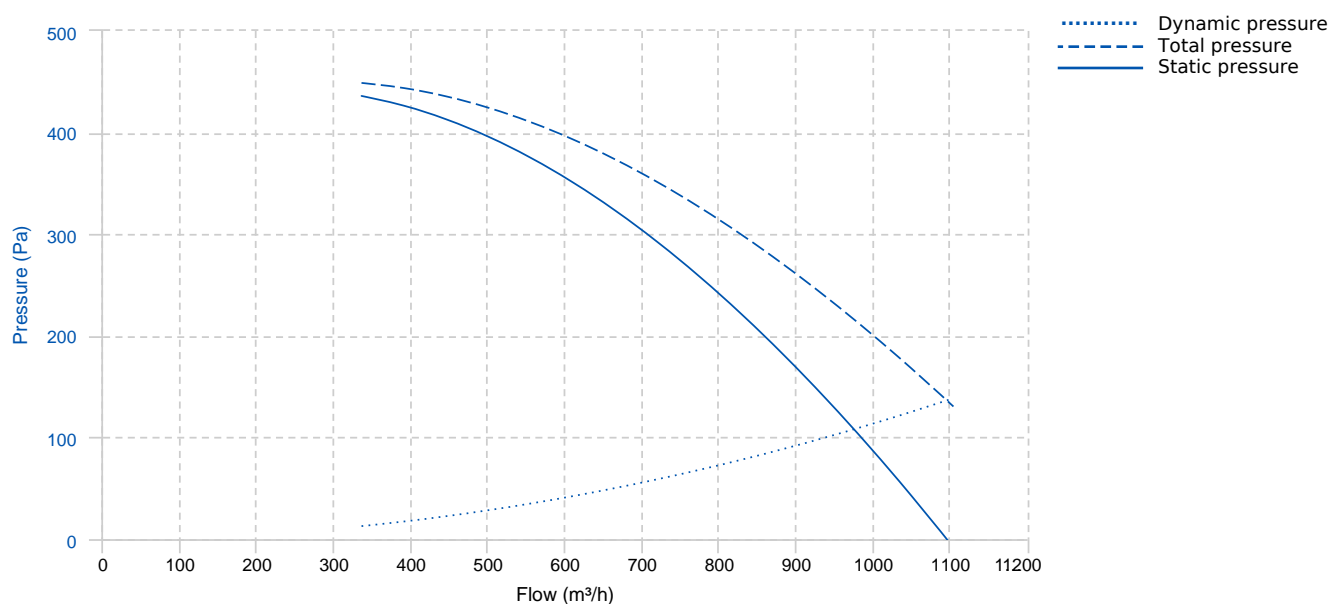
Designed for inline installation, they are suitable for:

- Corrosive air transport.
- Chemical and petrochemical industry.
- Laboratories and gas cabinets.
- Maximum temperature of transported air: If it is clean air 70°C, other depends on the gas (see table in documentation)

##### UNDER REQUEST:

- Single phase motors (up to 1,1Kw).
- 60Hz fans and special voltages fans.
- 2 speed motors.
- Stainless steel motor support.
- Casing made of PP.

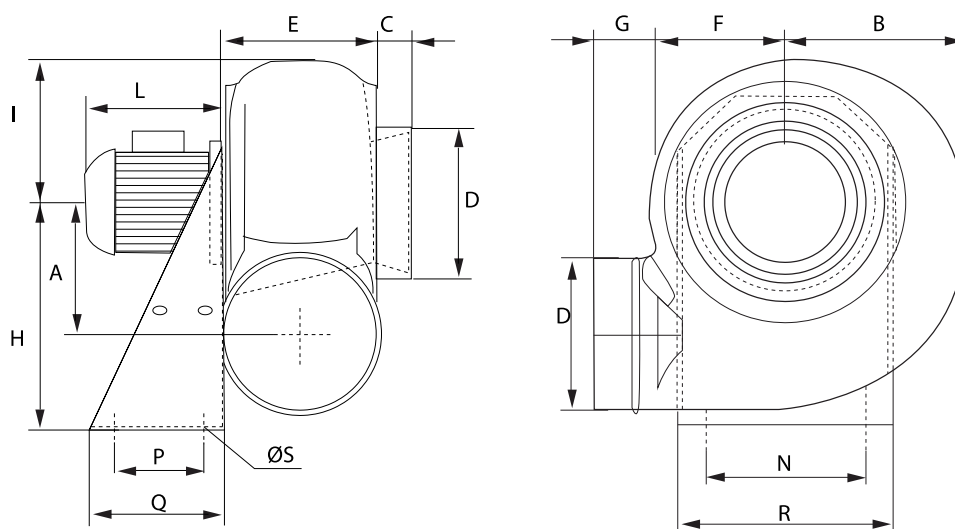
### PERFORMANCE CURVE



## TECHNICAL DATA

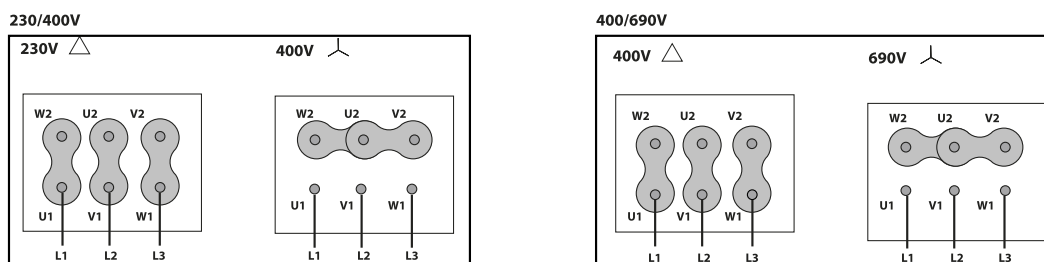
Fan							
RPM	2710	Approx. weight	9 kg	Max. Flow	1110 m <sup>3</sup> /h		
Motor							
Power	0.18 kW	RPM	2710	I max. (230V)	1 A	I max. (400V)	0,55 A
Size	63	Efficiency (%)	63 %	FP	0.75		

## DIMENSIONS



Dimensions (mm)									
A	140	B	180	C	35	DØ	160	E	160
F	138	G	55	H	250	I	150	L	195
N	200	P	100	Q	140	R	235	S	11

## WIRING DIAGRAM



## ACCESSORIES



**SAFETY SWITCH**  
**INT 25 3P A**  
**REF: INT253PA**



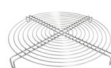
**ANTI-VIBRATION JOINT**  
**JE 45**  
**REF: A-300719201**



**DIFUSOR GRID**  
**DG Ø160**  
**REF: DG160**



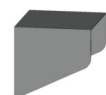
**ADJUSTABLE DAMPER**  
**AD Ø160**  
**REF: AD-160**



**STAINLESS STEEL PROTECTION GRID**  
**RPI Ø160**  
**REF: RPI160**



**ANTI-VIBRATION BLOCK**  
**AV 1**  
**REF: AV-1**



**MOTOR PROTECTION**  
**PCM 1**  
**REF: PCM1**



**ANTI-VIBRATING FLANGE 400<sup>º</sup>/2H**  
**BA-400 15/16**  
**REF: 960002067**



**PVC FLEXIBLE JOINT**  
**FJ Ø160**  
**REF: FJ-160**



**CIRCULAR GRAVITY DAMPER**  
**CSC Ø160**  
**REF: CSC160**



**DRAIN PLUG**  
**PD 1**  
**REF: PD1**



**WALL SUPPORT**  
**WS 1**  
**REF: WS1**



**CASING PROTECTION**  
**PC 20**  
**REF: PC20**



**FREQUENCY SPEED CONTROLLER**  
**SFC 230 I 2,5A \***  
**REF: SFC230I003**



**FREQUENCY SPEED CONTROLLER**  
**SFC 400 III 1,2A \***  
**REF: SFC400III1**

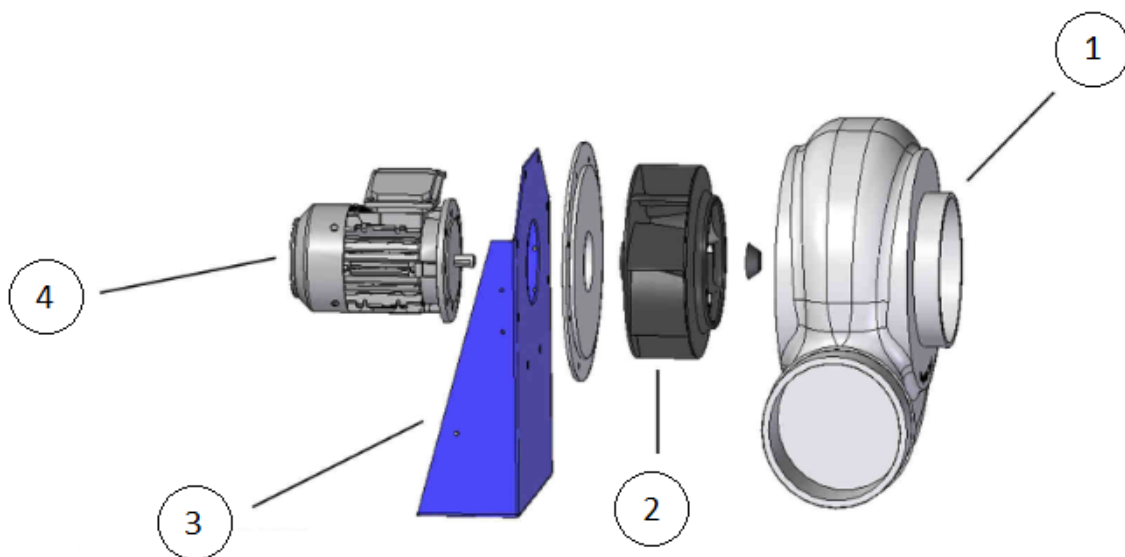


**ANTI-VIBRATION RUBBER BLOCK**  
**AVR (GENERIC)**



**ANTI-VIBRATION SPRING BLOCK**  
**AVS (GENERIC)**

## SPARE PARTS



	Code	Model	Qty
2	T02202013	IMPELLER MBP 20 T2 0,18kW LG	x1
4	721001013	MOTOR 0,18kW T2 B5 230/400V	x1